



**WASHING  
SYSTEMS**

# DW RANGE



**WASHING AS IT SHOULD BE**

## FEATURES AND BENEFITS

- High frequency vibrating dewatering screen complete with polyurethane decks
- Robust stressed relieved frame
- Fitted with high efficiency outer balance vibrating motor
- Supported on heavy duty long life oscillating mounting
- The screen incorporates a 45° sloping back deck section, fitted with slotted apertures across the direction of flow
- The main deck of the screen slopes upwards at 5° vibration is produced by two exciter motors operating at 980rpm
- Dewatering screen, catchbox and chutes combined onto a single frame
- Exceptional dewatering performance
- Modular screen decks
- Side protection liners
- Rubber lined discharge chute
- Removes water following dewatering operation to 10–15% of residual water content
- Major reduction in saleable material discharging to the pond, thus reducing pond maintenance and saving money
- Heavy-duty robust construction ideal for rugged operating environment
- Low maintenance
- All wear areas rubber lined - optional
- Quick assembly time
- Breaks down into one 20' (6m) container

## APPLICATIONS

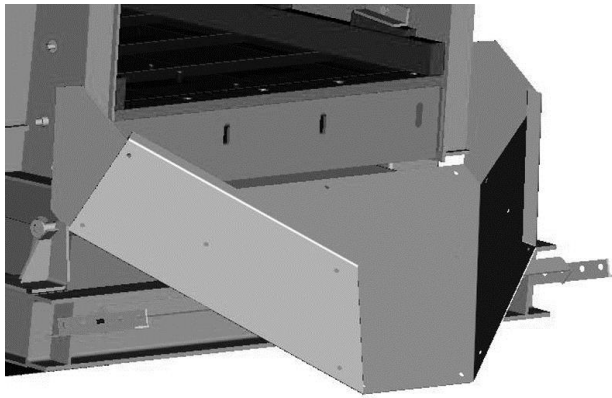
- All forms of concrete, mortar and asphalt sands
- Quarry dust / crushed fines
- Lake and beach sands
- Silica sand for glass industry
- Golf course sands
- Filter bed sands
- Recycled materials
- Iron ore
- Most materials which need to be washed

## OPTIONS

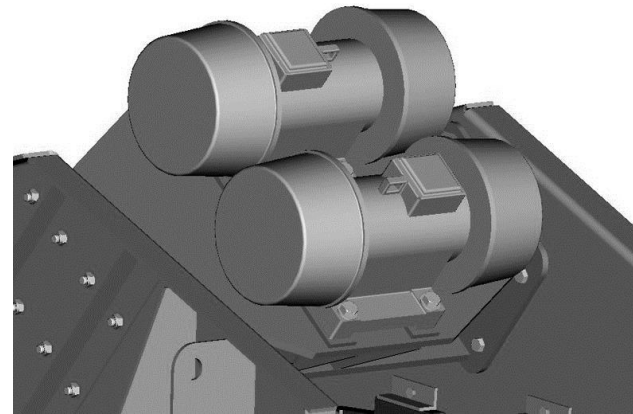
- Galvanised structure
- Steel support structure
- Catchbox
- Underflow Slurry Pump

## ALSO AVAILABLE IN THIS RANGE

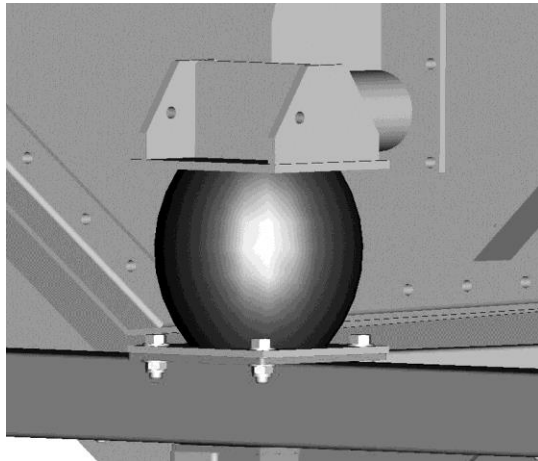
- DW 062
- DW 084 2 Deck
- DW 125 2 Deck



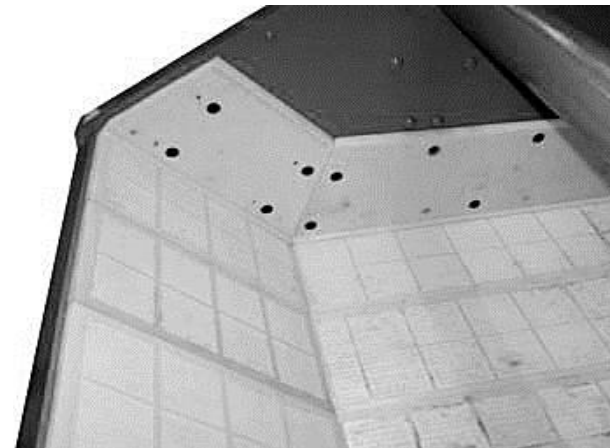
Rubber lined chute



Low noise vibrating motor



High efficiency rubber screen mount for minimal vibration



Sloped back panel for maximum water removal