



BISON 120

JAW CRUSHER

COMPACT | EASY TO TRANSPORT | INTUITIVE OPERATION

UP TO
80
TONNES PER HOUR
(90 US TPH)

The Bison 120 has been specifically designed for operators for whom versatility, maneuverability and transportability are of key importance. It is small enough to fit inside a container for transport but strong enough to withstand the toughest of applications. The Jaw is driven hydraulically allowing the customer the ability to reverse the Crusher to clear a blockage as well as being able to run in reverse permanently for sticky applications such as asphalt. The ability to adjust the jaw setting and operate the plant fully from the remote control allows for a fast and simple set up for the customer. With its intuitive operation, quick set-up times, compact size and ease of transport the Bison 120 the ideal solution for all small to medium sized operators.

1

HOPPER

- 2.3m³ (3 cubic yards) hopper capacity

4

PRODUCT CONVEYOR

- 800mm (32") Wide product conveyor
- Product conveyor discharge height: 1.9m (6'2")

2

FEEDER

- Integrated stepped grizzly for fines removal
- Feeder speed auto regulates based on crusher load

5

ENGINE OPTIONS

- Tier 3: 61kW/ 83Hp engine
- Tier 4 Final: Stage IIIB 52kW/70Hp Isuzu engine

3

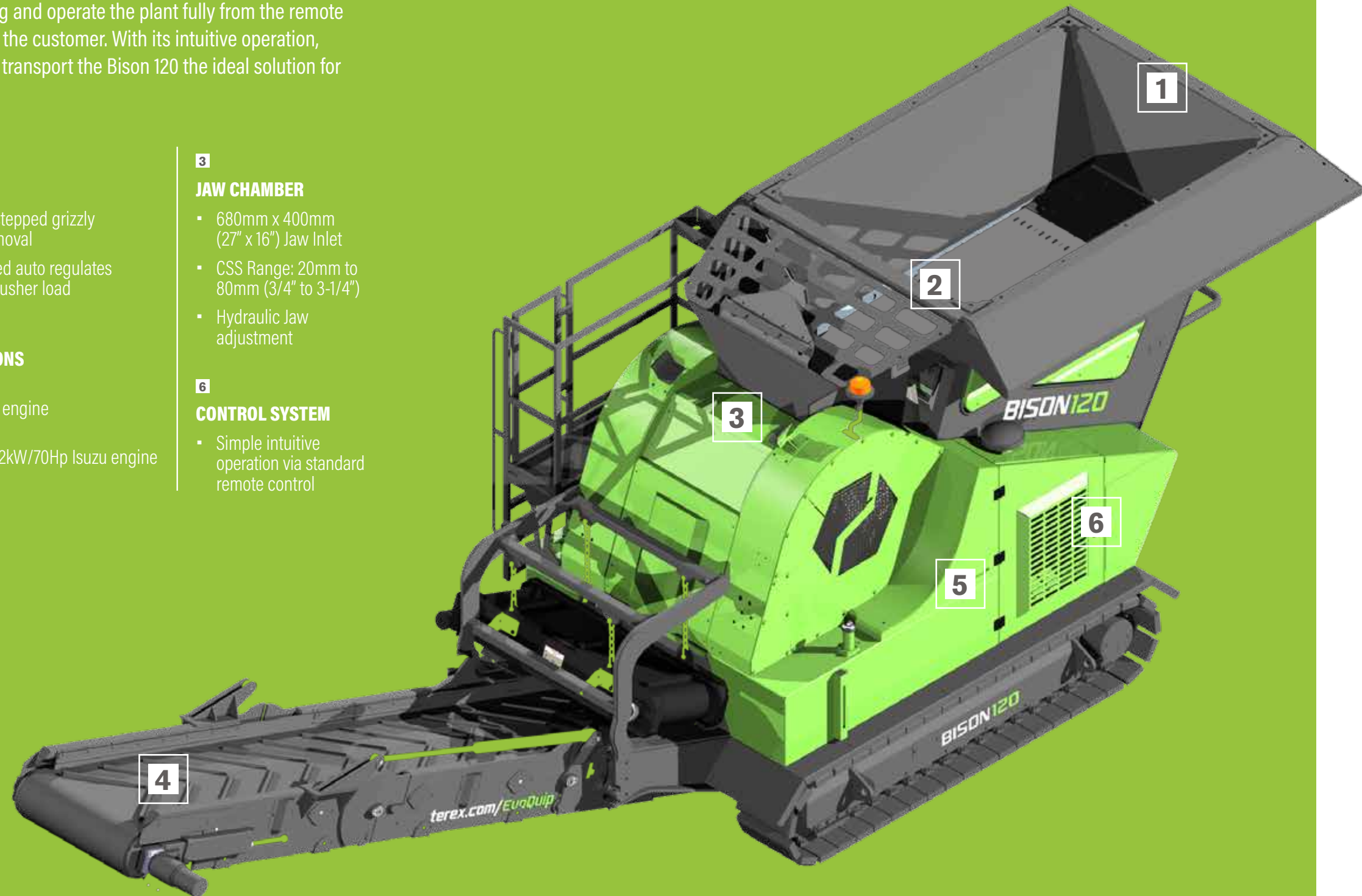
JAW CHAMBER

- 680mm x 400mm (27" x 16") Jaw Inlet
- CSS Range: 20mm to 80mm (3/4" to 3-1/4")
- Hydraulic Jaw adjustment

6

CONTROL SYSTEM

- Simple intuitive operation via standard remote control



EASE OF USE



**QUICK
SETUP
TIME**



**INTUITIVE
CONTROL
SYSTEM**



**TRACK
&
CRUSH**



**FULLY
CONTROLLED
FROM REMOTE**

OPTIMAL MATERIAL FLOW



**ADJUSTABLE
FEEDER
SPEED**



**JAW CAN
RUN IN
REVERSE**



**CSS HYDRAULIC
ADJUST
FROM REMOTE**



ENGINE POWER
TIER 3 - 61KW / 83HP
TIER 4 - 52KW / 70 HP



**JAW
LEVEL
SENSOR**



OPTIONAL
**MAGNET
RAISE /
LOWER**

COMPACT WITH IMPACT



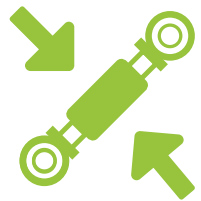
**IDEAL FOR
URBAN
USE**



**EASY
TO
TRANSPORT**

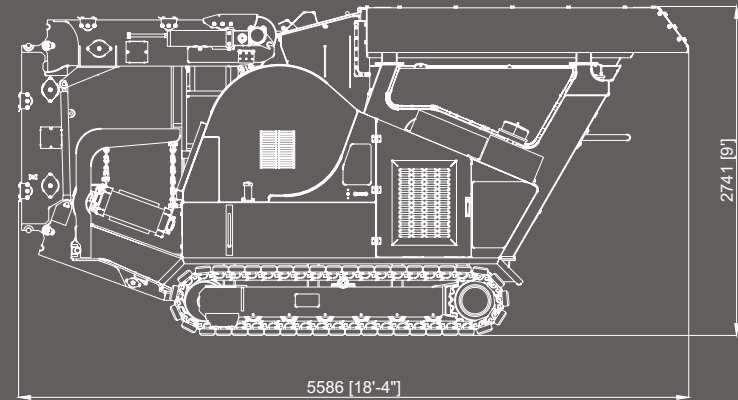
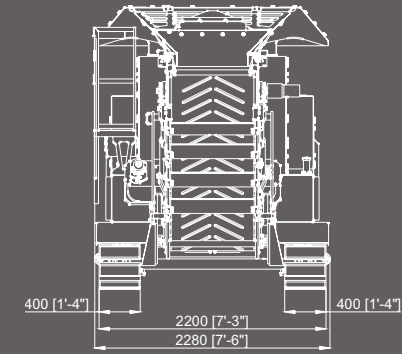
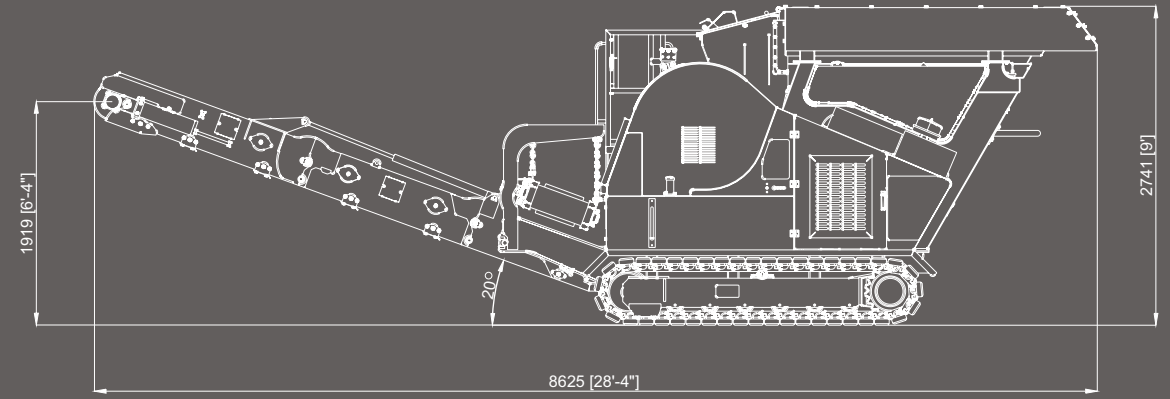


**EASY
ACCESS TO
ALL SERVICE
POINTS**



**GROUND
LEVEL
ACCESS**

SERVICEABILITY



Weight: 12,000kg (26,455lbs)

DIMENSIONS

200 Coalisland Road,
Dungannon, Co. Tyrone, BT714DR
Tel: +442887718500
Email: evoquip@terex.com



terex.com/EvoQuip

The material in this document is for information only and is subject to change without notice.

Terex assumes no liability resulting from errors or omissions in this document, or from the use of the information contained herein.

Due to continual product development we reserve the right to change specifications without notice.

Photographs are for illustrative purposes only, some or all of the machines in the illustrations may be fitted with optional extras.

Copyright 2018 Terex GB Limited.

Published and Printed in January 2018.